

U-F3X90: FIBER OPTIC GYROSCOPE IMU

■ PRODUCT DESCRIPTION



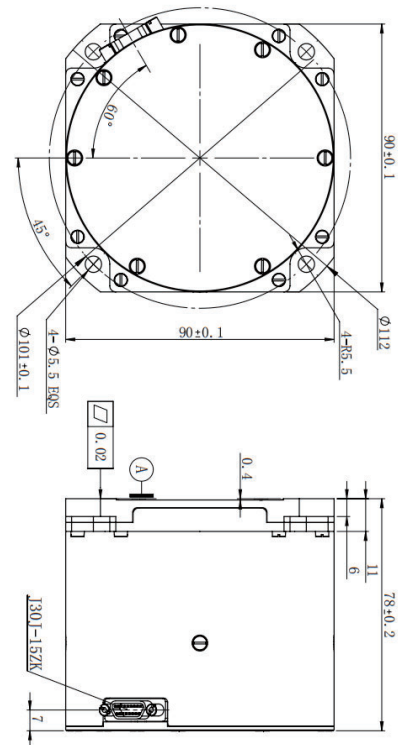
Fiber optic gyroscope, as a new type of all solid state gyroscope, has the advantages of fast start-up, wide measurement range, and high reliability. Among them, the U-F3X90 fiber optic gyroscope IMU (inertial measurement unit) is designed for the needs of medium and low precision application backgrounds, using three-axis shared technology, with low cost and stable performance; Structurally, it adopts integrated packaging of light path and circuit, with a simple structure and convenient installation. It can be applied to navigation guidance, attitude measurement and control systems of small missiles and guided bombs.

■ PRODUCT MAIN SPECIFICATION

Fiber Optic Gyroscope	U-F3X90-H	U-F3X90-M	Unit
Zero bias stability (Under room temperature)	≤0.10	≤0.20	°/hr
Zero bias repeatability (Under certain temperature, step by step, day by day)	≤0.10	≤0.20	°/hr
The Scale factor of Repeatability (Under room temperature)	≤30	≤50	ppm
The Scale factor of asymmetry (Under certain temperature)	≤30	≤50	Ppm
The Scale factor of Nonlinearity (Under certain temperature)	≤30	≤50	ppm)
Threshold	≤0.20		°/hr
Dynamic range of angular velocity	±500		°/s
Bandwidth	≥200		Hz
Dimension	90**90*78		mm
Weight (including accelerometer)	850±50		g
Working temperature	-40~+65		°C

Quartz Accelerometer	Specification	Unit
Range	≥±30	g
The Scale factor temperature coefficient	≤100	ppm/°C
The Scale factor monthly stability	≤100	ppm
The Bias value	≤±7	mg
The Bias temperature coefficient	≤100	μg/°C
The Partial monthly stability	≤100	μg
The Second-order nonlinear coefficient	≤100	μg/g ²
Mounting angle	≤200	"
Appearance	No scratches, cracks, or rust	

■ PRODUCT DIMENSION



■ PRODUCT APPLICATION

- Stabilization platform equipment
- Marine survey
- Ship navigation attitude measurement
- North finding instrument
- Crane bin and guide head
- Petroleum geological logging
- Underwater navigation