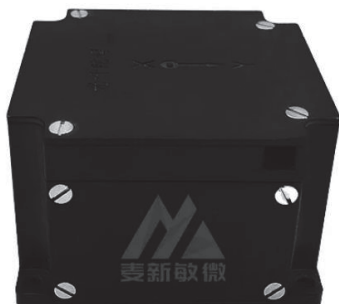


## G-F2X64: DUAL-AXIS LOW PRECISION FIBER OPTIC GYROSCOPE

### ■ PRODUCT DESCRIPTION

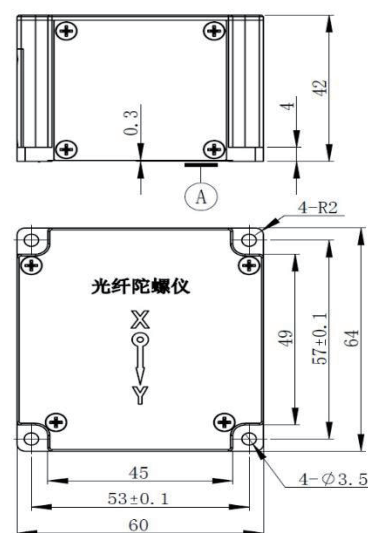


As a new type of all-solid state gyro, fiber optic gyroscope has the advantages of fast start, wide measurement range and high reliability. G-F2X64 dual-axial low precision fiber optic gyroscope can be applied to the on-board stability platform, guide head, crane bin and other fields. The specification is only applicable to G-F2X64 type products, including performance indicators, technical conditions, external dimensions and installation and use. Among them, the technical conditions include the environmental range, electrical performance and physical characteristics of the product.

### ■ PRODUCT MAIN SPECIFICATION

	G-F2X64-A	G-F2X64-B	Unit
Zero bias stability	≤0.50	≤1.0	°/hr(1σ,10s)
Stabilization time	<10	<10	s
Zero bias repeatability	≤0.50	≤1.0	°/hr(1σ)
Full-temperature zero-bias repeatability	≤0.50	≤1.0	°/hr
The Scale factor of Nonlinearity	≤30	≤50	ppm (1σ)
The Scale factor of Repeatability	≤50	≤100	ppm (1σ)
Dynamic range	±400		°/s
Bandwidth	≥100		Hz
Working temperature	-40~+65		°C
Storage temperature	-50~+70		°C
Vibration conditions	4.2g, 20~2000		Hz

### ■ PRODUCT DIMENSION



SIZE: 60\*64\*42MM

### ■ PRODUCT APPLICATION

- Crane bin and guide head
- Petroleum geological logging
- Underwater navigation
- North finding instrument
- Navigation GPS
- Marine survey
- Ship navigation attitude measurement
- Angle control of various construction machinery
- Stabilization platform equipment
- Unmanned aerial vehicles (UAV)
- Satellite solar antenna positioning