

AVI-E: HIGH PRECISION OUTPUT I/F CONVERSION CIRCUIT



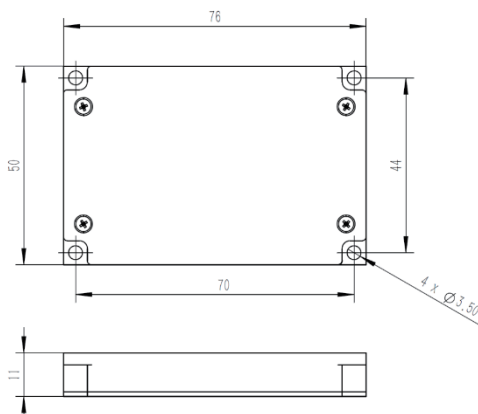
■ PRODUCT DESCRIPTION

The AVI-E-series I/F conversion module is a high-precision current/frequency converter that uses charge integration to continuously convert the current signals of three accelerometers simultaneously. The components used in this series of products are all 100% domestically produced, with a range of $\pm 20\text{mA}$ and adjustable scaling factor. It has the characteristics of small zero position, low power consumption, low temperature, and autonomous controllability.

■ PRODUCT MAIN SPECIFICATION

Specification	Test conditions	Minimum	Typical	Maximum	Unit
Maximum output frequency	Full temperature	-	-	512	kHz
Zero position F_0	Full temperature	0	-	20	nA
Zero stability	Full temperature	-	5	10	ppm
Scale factor temperature coefficient	Full temperature	-	0.5	1	ppm/°C
Scale factor asymmetry	$I = \pm 1\text{mA}$, $T_C = 25^\circ\text{C}$	0	-	30	ppm
Scale factor comprehensive nonlinearity	Full temperature range $1\text{mA} \leq I \leq \text{FS}$	-	-	30	ppm
Small signal error	$0.01\mu\text{A} \leq I \leq 1\text{mA}$	-	-	0.5	Hz
Stability during one power on	$I = \pm 1\text{mA}$, $T_C = 25^\circ\text{C}$	-	7	15	ppm
Repeatability of successive power on	$I = \pm 1\text{mA}$, $T_C = 25^\circ\text{C}$	-	7	15	ppm
Working temperature range T_c		-45		70	°C
Product dimension	76*50*11				mm
Interface form	J30JZ/LN25ZKWA000				

■ PRODUCT DIMENSION



Size: 76*50*11mm