

## AVI-B: HIGH OUTPUT FREQUENCY V/F CONVERSION CIRCUIT



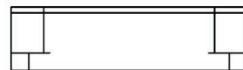
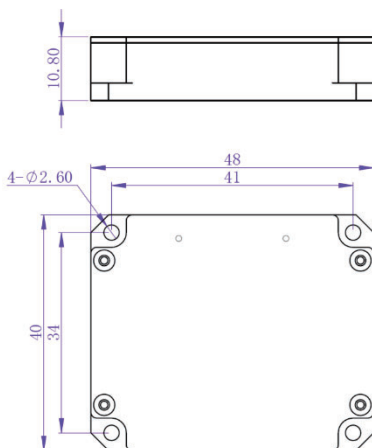
### ■ PRODUCT DESCRIPTION

AVI-B-series current/frequency conversion module adopts a charge integration method and can continuously convert the current signals of three accelerometers simultaneously. The three accelerometers work independently without affecting each other. The range and scale factor of this series of products are adjustable, with a maximum range of  $\pm 80\text{mA}$ . It has the characteristics of small volume, small zero position, and low temperature coefficient.

### ■ PRODUCT MAIN SPECIFICATION

Specification	Test conditions	Minimum	Typical	Maximum	Unit
Maximum output frequency	Full temperature	-	-	512	kHz
Zero position $F_0$	Full temperature	0	60	100	nA
Zero stability	Constant temperature test		10	20	ppm
Scale factor temperature coefficient	Full temperature range	-	1	2	ppm/°C
Scale factor asymmetry	$I = \pm 1\text{mA}$ , $T_c = 25^\circ\text{C}$	0		30	ppm
Scale factor comprehensive nonlinearity	Full temperature range $1\text{mA} \leq  I  \leq \text{FS}$	-	30	50	ppm
Stability during one power on	$I = \pm 1\text{mA}$ , $T_c = 25^\circ\text{C}$		10	20	ppm
Repeatability of successive power on	$I = \pm 1\text{mA}$ , $T_c = 25^\circ\text{C}$		10	20	ppm
Working temperature range $T_c$		-45		85	°C
Product dimension	48*40*11				mm
Interface form	J30JZ/LN21ZKWA000				

### ■ PRODUCT DIMENSION



Size: 48\*40\*10.8mm